



MODEL 350SS - 3.5 TON DOUBLE-PUMPER FLOOR JACK

UPDATED 10-05

| PART ORDER NUMBER | KIT DESCRIPTION | KIT INCLUDES | |
|----------------------|--------------------------|--------------|----------------------------|
| | | REF. # | DESCRIPTION |
| 350SSK24 | HANDLE | 23 | HANDLE BUMPER |
| | | 24 | HANDLE |
| 350SSK20 | HANDLE RETAINER | 20 | BOLT |
| 350SSK40 | SADDLE COMPLETE | 40 | SADDLE |
| | | 41 | RUBBER COVER |
| 350SSK22 | HANDLE SPRING | 22 | HANDLE SPRING |
| 350SSKHU | HYDDRAULIC UNIT COMPLETE | 28 | POWER UNIT COMPLETE |
| 350SSK27 | RELEASE VALVE | 27 | RELEASE ASSEMBLY |
| 350SSK3 | FRONT WHEEL | 1 | RETAINING RING |
| | | 2 | WASHER |
| | | 3 | WHEEL |
| 350SSK12 | CASTER | 10 | NUT M18 |
| | | 11 | SPRING WASHER |
| | | 12 | CASTER ASSEMBLY |
| 350SSK21 | HANDLE SOCKET COMPLETE | 16 | BOLT X 2 |
| | | 17 | SPRING WASHER |
| | | 20 | BOLT |
| | | 21 | HANDLE SOCKET WITH ROLLERS |
| | | 22 | SPRING , HANDLE RETURN |
| 350SSKRK | REPAIR KIT | H3 | O-RING RETAINER |
| | | H4 | O-RING |
| | | H5 | RETAINING RING |
| | | H7 | O-RING |
| | | H10 | SPRING, RELEIF VALVE |
| | | H12 | SEAL WASHER X 2 |
| | | H14 | O-RING |
| | | H14-1 | SEAL RING |
| | | H15 | SEAL WASHER |
| | | H25 | O-RING |
| | | H26 | BALL 6 |
| | | H28 | O-RING |
| | | H29 | O-RING |
| | | H29-1 | SEAL RING |
| | | H31 | BALL 10 |
| | | H32 | BALL 8 |
| | | H34 | BALL 5.5 (2) |
| | | H36 | SPRING, RELEIF VALVE |
| | | H37 | WASHER |
| | | H38 | O-RING |
| H39 | OIL FILL PLUG | | |
| H41 | O-RING | | |
| H42 | O-RING | | |
| H44 | PIN 4X35 | | |

*** ONLY PARTS WITH A "PART ORDER NUMBER" ARE AVAILABLE FOR SALE.**

DO NOT COPY OR DISTRIBUTE THIS MATERIAL WITHOUT PERMISSION OF AFF, INC.



MODEL 350SS - 3.5 TON DOUBLE-PUMPER FLOOR JACK

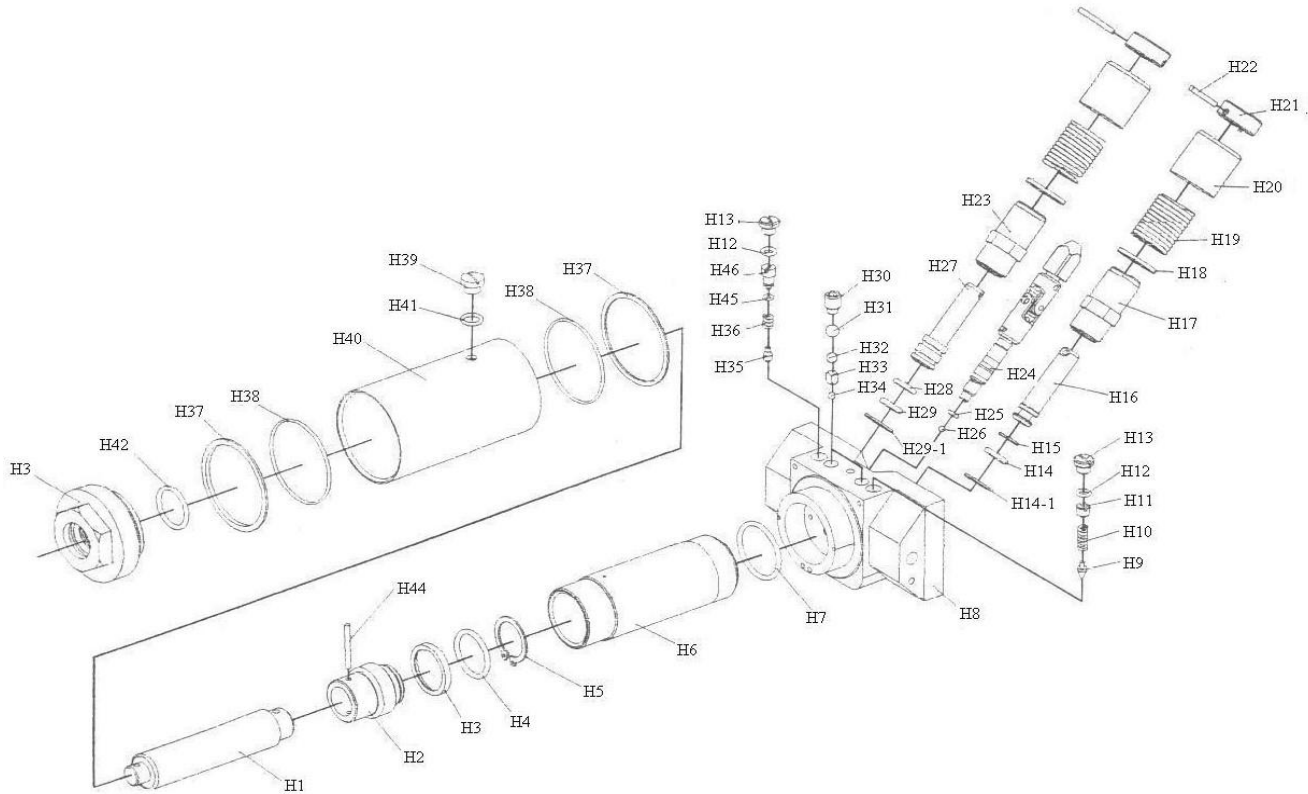
UPDATED 10-05

| PART | | KIT INCLUDES | |
|---------------|-----------------|--------------|--------------------------------|
| ORDER NUMBER | KIT DESCRIPTION | REF. # | DESCRIPTION |
| 350SSKH23 | VOLUME PUMP | H29 | O-RING |
| | | H28 | O-RING |
| | | H27 | PUMP PISTON |
| | | H23 | PUMP CYLINDER |
| | | H18 | PUMP INNER |
| | | H19 | PUMP RETURN SPRING |
| | | H20 | PUMP OUTER COVER |
| | | H21 | PUMP COVER |
| | | H22 | PIN 4X35 |
| 350SSKH16 | PRESSURE PUMP | H14 | O-RING |
| | | H15 | SEAL WASHER |
| | | H16 | PUMP PISTON |
| | | H17 | PUMP CYLINDER |
| | | H18 | PUMP INNER |
| | | H19 | PUMP RETURN SPRING |
| | | H20 | PUMP OUTER COVER |
| | | H21 | PUMP COVER |
| | | H22 | PIN 4X35 |
| NOT AVAILABLE | SEPARATELY | HU-1 | RAM |
| NOT AVAILABLE | SEPARATELY | HU-2 | RAM HEADER |
| NOT AVAILABLE | SEPARATELY | HU-6 | CYLINDER |
| NOT AVAILABLE | SEPARATELY | HU-8 | VALVE BASE |
| NOT AVAILABLE | SEPARATELY | HU-9 | SAFTEY VALVE |
| NOT AVAILABLE | SEPARATELY | HU-11 | REGULATING BOLT |
| NOT AVAILABLE | SEPARATELY | HU-13 | SEAL BOLT |
| NOT AVAILABLE | SEPARATELY | HU-30 | HIGH PRESSURE BOLT |
| NOT AVAILABLE | SEPARATELY | HU-33 | SEPARATOR |
| NOT AVAILABLE | SEPARATELY | HU-35 | SAFTEY VALVE |
| NOT AVAILABLE | SEPARATELY | HU-40 | OUTER CYLINDER |
| NOT AVAILABLE | SEPARATELY | HU-43 | TANK NUT |
| 350SSK01 | RETAINING RING | 1 | RETAINING RING FOR FRONT WHEEL |
| | & WASHER ONLY | 2 | WASHER |
| NOT AVAILABLE | SEPARATELY | 4 | SIDE PLATE |
| NOT AVAILABLE | SEPARATELY | 5 | BOLT |
| NOT AVAILABLE | SEPARATELY | 6 | WASHER |
| NOT AVAILABLE | SEPARATELY | 7 | HEX NUT |
| NOT AVAILABLE | SEPARATELY | 8 | SPRING WASHER |
| NOT AVAILABLE | SEPARATELY | 9 | HEX BOLT |
| NOT AVAILABLE | SEPARATELY | 13 | PULL ROD |
| NOT AVAILABLE | SEPARATELY | 14 | WASHER |
| NOT AVAILABLE | SEPARATELY | 15 | HEX NUT |
| NOT AVAILABLE | SEPARATELY | 18 | MACHINE SCREW (4) |
| NOT AVAILABLE | SEPARATELY | 19 | INSPECTION PLATE |
| 350SSK23 | | 23 | HANDLE BUMPER ONLY |
| NOT AVAILABLE | SEPARATELY | 29 | SPRING |
| NOT AVAILABLE | SEPARATELY | 30 | SPLIT PIN |
| NOT AVAILABLE | SEPARATELY | 31 | TRACK RING |
| NOT AVAILABLE | SEPARATELY | 32 | BLOCK LINKAGE |
| NOT AVAILABLE | SEPARATELY | 33 | HEX NUT |
| NOT AVAILABLE | SEPARATELY | 34 | WASHER |
| NOT AVAILABLE | SEPARATELY | 35 | SHAFT ARM |
| NOT AVAILABLE | SEPARATELY | 36 | GREASE FITTING |
| NOT AVAILABLE | SEPARATELY | 37 | LONG LINKAGE |
| NOT AVAILABLE | SEPARATELY | 38 | RETAINING RING |
| NOT AVAILABLE | SEPARATELY | 39 | LIFT ARM ASSEMBLY |

* ONLY PARTS WITH A "PART ORDER NUMBER" ARE AVAILABLE FOR SALE.

DO NOT COPY OR DISTRIBUTE THIS MATERIAL WITHOUT PERMISSION OF AFF, INC.

MODEL 350SS - 3.5 TON DOUBLE-PUMPER FLOOR JACK HYDRAULIC UNIT

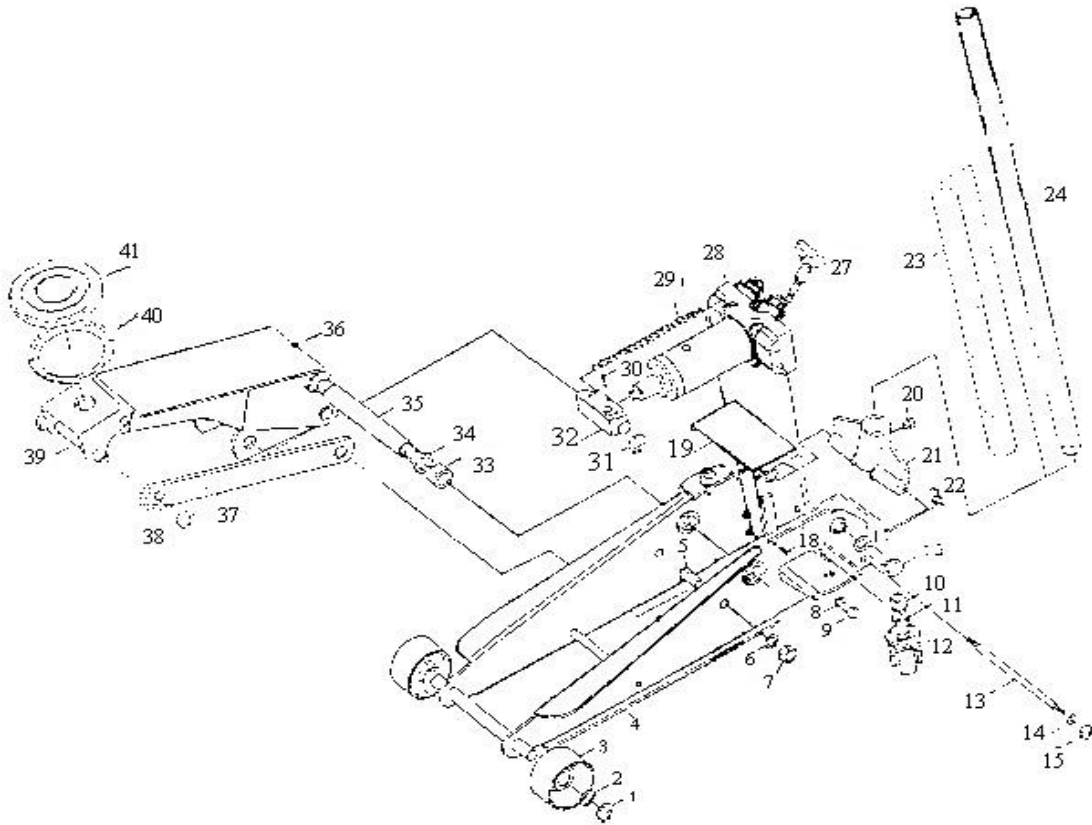


| NO. | DESCRIPTIN | QTY | NO. | DESCRIPTIN | QTY | NO. | DESCRIPTIN | QTY |
|-------|---------------------|-----|-------|--------------------|-----|-----|---------------------|-----|
| H1 | RAM | 1 | H16 | PUMP CORE | 1 | H31 | BALL 10 | 2 |
| H2 | RAM HEADER | 1 | H17 | PUMP CASE | 1 | H32 | BALL 8 | 2 |
| H3 | O-RING RETURNER | 1 | H18 | PUMP INNER CASE | 2 | H33 | SEPARATOR | 2 |
| H4 | O-RING | 1 | H19 | PRESS SPRING | 2 | H34 | BALL 5.5 | 2 |
| H5 | RETAINING RING | 1 | H20 | PUMP OUTER CASE | 2 | H35 | SAFETY VALVE | 1 |
| H6 | CYLINDER | 1 | H21 | PUMP COVER | 2 | H36 | RELIEF VALVE SPRING | 1 |
| H7 | O-RING | 1 | H22 | PIN 4x30 | 2 | H37 | WASHER | 2 |
| H8 | VALVE BASE | 1 | H23 | PUMP CASE | 1 | H38 | O-RING | 2 |
| H9 | SAFETY VALVE | 1 | H24 | RELEASE ASSEMBLY | 1 | H39 | SEAL BOLT | 1 |
| H10 | RELIEF VALVE SPRING | 1 | H25 | O-RING | 1 | H40 | CYLINDER OUTER CASE | 1 |
| H11 | REGULATE BOLT | 2 | H26 | BALL 6 | 1 | H41 | O-RING | 1 |
| H12 | SEAL WASHER | 2 | H27 | PUMP CORE | 1 | H42 | O-RING | 1 |
| H13 | SEAL BOLT | 2 | H28 | O-RING | 1 | H43 | TANK NUT | 1 |
| H14 | O-RING | 1 | H29 | O-RING | 1 | H44 | PIN 4x35 | 1 |
| H14-1 | SEAL WASHER | 1 | H29-1 | SEAL WASHER | 1 | H45 | O-RING | 1 |
| H15 | SEALING WASHER | 1 | H30 | HIGH-PRESSURE BOLT | 2 | H46 | REGULATE BOLT | 1 |

* ONLY PARTS WITH A "PART ORDER NUMBER" ARE AVAILABLE FOR SALE.

DO NOT COPY OR DISTRIBUTE THIS MATERIAL WITHOUT PERMISSION OF AFF, INC.

MODEL 350SS - 3.5 TON DOUBLE-PUMPER FLOOR JACK EXPLODED VIEW



| REF. NO. | DESCRIPTION | QTY. | REF. NO. | DESCRIPTION | QTY. |
|----------|-------------------|------|----------|-------------------|------|
| 1 | Retaining Ring | 2 | 22 | Torsion Spring | 2 |
| 2 | Washer 20 | 2 | 23 | Handle Bumper | 1 |
| 3 | Wheel | 2 | 24 | Handle | 1 |
| 4 | Side Plate Assy | 1 | 25 | | |
| 5 | Bolt | 2 | 26 | | |
| 6 | Washer 15 | 2 | 27 | Release Assembly | 1 |
| 7 | Hex Nut M16 | 2 | 28 | Power Unit Assy. | 1 |
| 8 | Spring Washer 12 | 2 | 29 | Spring | 2 |
| 9 | Hex Bolt M17 x 20 | 2 | 30 | Split Pin 4 x 25 | 1 |
| 10 | Nut M18 | 2 | 31 | Retaining Ring 25 | 2 |
| 11 | Spring Washer 12 | 2 | 32 | Block Linkage | 1 |
| 12 | Caster Assembly | 2 | 33 | Hex Nut 24 | 2 |
| 13 | Pull Rod | 1 | 34 | Washer 24 | 2 |
| 14 | Washer 12 | 2 | 35 | Shock Arm | 1 |
| 15 | Hex Nut M16 | 2 | 36 | Grease Fitting | 1 |
| 16 | Bolt | 2 | 37 | Long Linkage | 2 |
| 17 | Spring Washer 18 | 2 | 38 | Retaining Ring 18 | 2 |
| 18 | Screws | 4 | 39 | Lift Arm Assembly | 1 |
| 19 | Injection Valve | 1 | 40 | Saddle | 1 |
| 20 | Cap | 1 | 41 | Rubber Saddle Pad | 1 |
| 21 | Handle Socket | 1 | 42 | Complete Set Kit | 1 |

*** ONLY PARTS WITH A "PART ORDER NUMBER" ARE AVAILABLE FOR SALE.**

DO NOT COPY OR DISTRIBUTE THIS MATERIAL WITHOUT PERMISSION OF AFF, INC.