

Other fine products from INFRATECH

MEDIUM WAVE SYSTEMS

"Number one selling portable infrared unit"

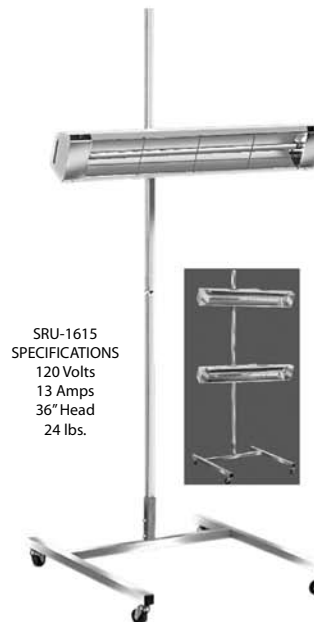
**MODEL SRU-1615**  
Part No. 14-1000

- 1500 Watts of curing power over a 2' X 3' coverage area - ideal for small area repairs
- New heavy-duty stand adjusts to over 6' high for curing hoods and roof lines
- Now with conveniently located On/Off switch
- Parabolic reflector for uniform heat distribution
- Energy efficient, only pennies per hour to operate
- Underwriters Laboratories (U.L.) Listed

**MODEL SRU-3215**  
Part No. 14-1005

- Same quality features as SRU-1615
- Includes "two" 1500 Watt heads for double the curing power over a 3' X 4' coverage area (3000 Watts total)

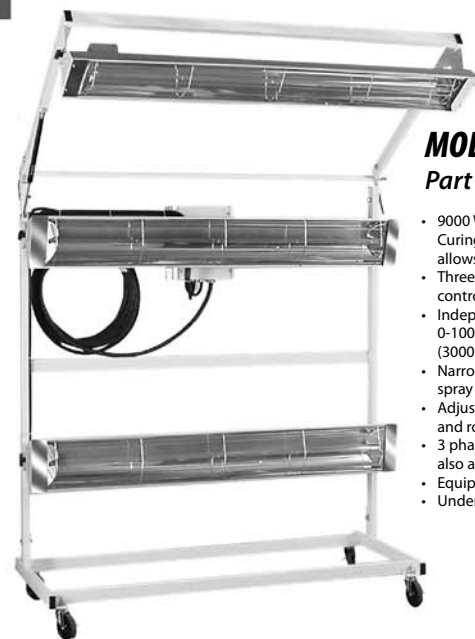
SRU-1615  
SPECIFICATIONS  
120 Volts  
13 Amps  
36" Head  
24 lbs.



**MODEL S-9000-P**  
Part No. 14-1100

- 9000 Watts of Medium Wave Infrared Curing with a 6' X 8' coverage area that allows for complete multiple panel repairs
- Three zone, solid state, programmable controls with electronic timer
- Independently control curing heads from 0-100% for maximum efficiency (3000 Watts each)
- Narrow frame profile designed to fit in spray booths
- Adjustable shock arm to reach hoods and roof easily
- 3 phase units and 208 voltage units also available
- Equipped with 50' power cord
- Underwriters Laboratories (U.L.) Listed

S-9000-P  
SPECIFICATIONS  
240 Volts  
38 Amps  
61" Heads  
240 lbs.



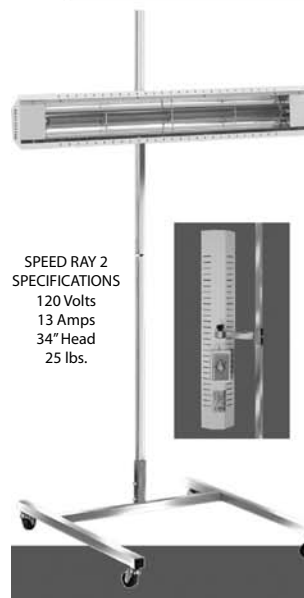
SHORT WAVE SYSTEMS

"The best value in entry-level Short Wave Infrared"

**MODEL SPEEDRAY 2**  
Part No. 17-1015

- Faster production and shorter cure times
- 1650 watts of curing power over a 3' x 4' coverage area
- Vertical or horizontal flexibility for curing hard-to-reach areas
- Energy savings with 60 minute timer and auto shutdown feature
- 6' high, heavy duty stand for curing hoods and roof lines
- One full length heating element for more effective coverage and a lower replacement cost

SPEED RAY 2  
SPECIFICATIONS  
120 Volts  
13 Amps  
34" Head  
25 lbs.



**MODEL SR-IV**  
Part No. 17-1200

- IRIDIUM Short Wave 4000 Watt unit offers faster cure times
- Solid state, programmable controls with electronic timer
- IRIDIUM enhanced quartz halogen element puts more energy into the work and less into visible light
- Large coverage area (4' X 4') allows for complete panel repairs
- Parabolic reflectors for uniform heat distribution
- Adjustable shock arm extends to over 7' high making it safe to cure hoods and roof sections
- Stand with locking casters has a narrow foot print for mobility
- Equipped with 25' power cord
- Underwriters Laboratories (U.L.) Listed

SR-IV  
SPECIFICATIONS  
240 Volts  
17 Amps  
36" Heads  
170 lbs.



**INFRATECH**<sup>TM</sup>

Innovative Infrared Technology

344 West 157th Street, Gardena, CA USA 90248  
800-421-9455 • FAX 310-523-3674 • www.infratech-usa.com  
One-Year Warranty • Made in U.S.A.

**INFRATECH**<sup>TM</sup>

Color Matcher CM5300  
**OWNERS MANUAL**

CM5300: 70 watts, 120 V, (comp. no. #14-5300)  
CM5300E: 70 watts, 230 V, (comp. no. #14-5305)

- High Color Temperature 5300K  
Duplicates Natural Sunlight
- High Power - 70 watts
- Large Coverage Area
- Hand Held - Lightweight
- Momentary "On/Off" Switch
- Economical To Own



Sunlight Under Any Condition • Identify Pre-or-Post Paint Defects  
Avoid Costly Color Mismatch • Eliminate Re-Do's or Comebacks

Quality light is essential for color matching and painting operations. Artificial light commonly used for indoor work areas rarely reproduces the full spectrum of visible light. The incomplete light makes certain color samples appear to match under the work light, but appear distinctly different in natural sunlight.

In addition, sunlight has variations naturally based on the time of day, season and weather conditions, further complicating color matching operations. The CM5300 is designed to consistently simulate natural sunlight, and assist with color matching and quality control operations.



## Technical:

The CM5300 is a high color light source that simulates natural sunlight. Color temperature, expressed on the Kelvin scale (K), is the color appearance of the lamp itself and the light it produces. Natural sunlight can have a color temperature that varies from 3,500 K (early morning) to over 11,000 K (northern blue skylight), but for a general standard, 5,500 K is commonly

used as the color temperature for noon, at middle latitudes. The Infratech CM5300 produces a 5,300 K color temperature that is visually indistinguishable from the typical sunlight, and provides shops with a consistent reference point for comparisons.

## Applications:

The CM5300 can be used for color matching or inspection operations that benefit from high intensity light of consistent color.

- Identifying pre and post painting defects (i.e. sand scratches, pinholes, swirl marks)
- Metallic layout inspection
- Quality control for production lines
- Inspecting work for proper coverage, blending and color match
- Eliminate Re-Do's or Comebacks
- Matching sample color chips with vehicles

## Operation:

Plug into 120 V or 230 V power as specified on unit. Use only a grounded outlet and appropriate extension cords.

Press down the button to turn on the lamp. The button must be held down to keep the lamp on.

Do not bypass the button or use as a continuous light source. The lamp is designed for intermittent operation only.

Position lamp approximately 12", or more from the surface, for uniform distribution of light.



## Warnings:

- CAUTION HOT. **Do Not** use in close proximity of paper, cloth or other combustible materials that may cause a fire hazard.
- CAUTION: High intensity light. **DO NOT** look directly at bulbs.
- Source of possible shock. **NEVER** attempt to service or replace bulbs without disconnecting power.
- This product is **NOT** intended for use in hazardous locations. Refer to National Electric Code, article 516, for definitions and descriptions of hazardous locations.
- "Portable electric lamps or other utilization equipment shall **NOT** be used in a spray area during spray operations." (NEC 516-3 (D))
- For use by professional technicians only.
- The user is responsible to know and follow all applicable workplace regulations.

## Replacement Parts:

- #18-5310 Color Temperature Bulb 35W 5300K
- #18-5315 Push Button Momentary Switch
- #18-5320 Black Handle w/ screws
- #13-1040 Power Cord (6 Ft.) w/ strain relief

## Maintenance:

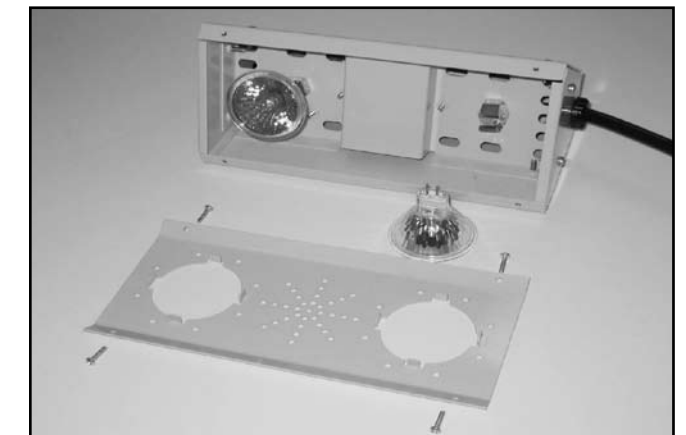
Touch the lamp on the outside of the reflector only. Oils from skin can damage the bulb and inside reflector surface. Use a clean lint free cloth for installation and removal.

### NOTE:

**Allow lamp to cool for 10 minutes before inserting, removing or cleaning the bulb.**

## To change a bulb:

1. Unplug unit.
2. Remove 4 screws securing face plate.
3. Gently pull bulb out of socket and retaining clips.
4. Insert replacement bulb Part # 18-5310.
5. Replace face plate.



- #18-5325 Transformer 75W, 120 V
- #18-5330 Transformer 75W, 230V
- #18-5335 Light Sockets (Set of 2)